

METTLER TOLEDO

InPro® 5000 (i) CO₂ Sensors

**Instruction manual
Bedienungsanleitung
Instructions d'utilisation**



InPro 5000 (i)
52 002 465

English **Page** **3**

Deutsch **Seite** **21**

Français **Page** **39**

InPro[®] 5000 (i) CO₂ Sensors

Instruction manual

1	Introduction	5
2	Important notes.....	6
2.1	Notes on operating instructions	6
2.2	Intended use	6
2.3	Safety instructions	7
3	Product description	8
3.1	General information	8
3.2	Principles of CO ₂ measurement	8
3.3	Scope of delivery	8
3.4	Equipment features	9
4	Preparation.....	10
4.1	Start-up	10
4.2	Calibration.....	11
4.2.1	Connecting the InPro 5000 (i) to cable.....	11
4.2.2	Connecting the VP cable to the transmitter	12
4.2.3	Calibration of pH electrode.....	12
4.3	Mounting the membrane body	13
4.4	Mounting the sensor	14
4.5	Sterilization.....	14
5	Operation.....	15
5.1	Calibration of the CO ₂ sensor	15
6	Maintenance	16
6.1	Inspection.....	16
6.1.1	Visual inspection	16
6.1.2	Checking wiring and transmitter	16
6.2	Changing the CO ₂ electrolyte/membrane body.....	16
6.3	Maintenance of the interior body.....	17
6.4	Replacement of the interior body	17
6.5	ISM	17
7	Storage.....	18
8	Product specification	18
8.1	Certificates.....	18
8.2	Specifications.....	18
9	Ordering information	19
9.1	Sensors	19
9.2	Accessories	19
9.3	Spare parts	19
9.4	Transmitter	20

1 Introduction

Thank you for buying the **InPro 5000 (i) sensor from METTLER TOLEDO.**

The construction of the InPro 5000 (i) sensor employs leading edge technology and complies with safety regulations currently in force. Notwithstanding this, improper use could lead to hazards for the user or a third-party, and/or adverse effects on the plant or other equipment.



Therefore, the operating instructions must be read and understood by the persons involved before work is started with the sensor.

The instruction manual must always be stored close at hand, in a place accessible to all people working with the InPro 5000 (i).

If you have questions, which are not or insufficiently answered in this instruction manual, please contact your METTLER TOLEDO supplier. They will be glad to assist you.

2 Important notes

2.1 Notes on operating instructions

These operating instructions contain all the information needed for safe and proper use of the InPro 5000 (i) sensor.

The operating instructions are intended for personnel entrusted with the operation and maintenance of the sensors. It is assumed that these persons are familiar with the equipment in which the sensor is installed.

Warning notices and symbols

This instruction manual identifies safety instructions and additional information by means of the following symbols:



This symbol draws attention to **safety instructions and warnings of potential danger** which, if neglected, could result in injury to persons and/or damage to property.



This symbol identifies **additional information and instructions** which, if neglected, could lead to defects, inefficient operation and possible loss of production.

2.2 Intended use

InPro 5000 (i) sensors are intended solely for in line measurement of dissolved CO₂ (carbon dioxide), as described in this instruction manual.

Any other use, or use not mentioned here, that is incompatible with the technical specifications is deemed inappropriate. The operator is solely responsible for any damage arising from such use.

Other prerequisites for appropriate use include:

- observing the instructions, notes and requirements set out in this instruction manual.
- observing all local safety regulations concerning safety on work.
- observing all information and warnings in the documentation dealing with the products used together with the sensor (housings, transmitters, etc.).
- observing all safety regulations governing the equipment in which the sensor is installed.
- observing the prescribed inspection and maintenance intervals.
- correct care and maintenance of the unit, according to the instruction manual.
- observing the prescribed environmental and operational conditions, and permitted installation positions.

2.3 Safety instructions



- The InPro 5000 (i) sensors should be installed, operated, maintained only by personnel familiar with the sensor and who are qualified for such work.
- A defective sensor must neither be installed nor put into service.
- Only the maintenance work described in these operating instructions may be performed on the sensors.
- When changing faulty components, use only original spare parts obtainable from your METTLER TOLEDO supplier (see section 9).
- No modifications to the sensors and the accessories are allowed. The manufacturer/supplier accepts no responsibility for damage caused by unauthorised modifications. The risk is borne entirely by the user.

3 Product description

3.1 General information

The **sensor InPro 5000 (i)** with integrated temperature probe is used for dissolved carbon dioxide measurement.

The sensor has been designed for accurate and precise measurement at low to medium carbon dioxide partial pressure.

The sensor is **sterilizable** and **compatible with CIP** (cleaning in place).

The sensor consists of an exchangeable pH electrode which is built in a steel shaft and fixed with a small **hexagonal screw**.

3.2 Principles of CO₂ measurement

Here is a short summary of the principle of the potentiometric measurement of CO₂ which this sensor is based (Severinghaus). The InPro 5000 (i) sensor employs a gas permeable silicone membrane which is tightly stretched around a special engineered flat pH membrane. The CO₂ gas from the sample or process diffuses across the membrane until its partial pressure equilibrates within the electrolyte film in front of the pH sensitive glass and the bulk of the internal electrolyte.

The dissolved CO₂ gas reacts with water to form bicarbonate and H⁺ ions:



The formed H⁺ ions lead to a pH change of the inner electrolyte which is measured with the integrated pH electrode. Thus, the CO₂ partial pressure can be calculated using the pH and the temperature, which is detected as well.

3.3 Scope of delivery

Each sensor is supplied together with:

- 1 bottle CO₂-electrolyte 25 ml
- 1 quality control certificate
- 1 inspection certificate 3.1
(in accordance with EN 10204.3/3.1)

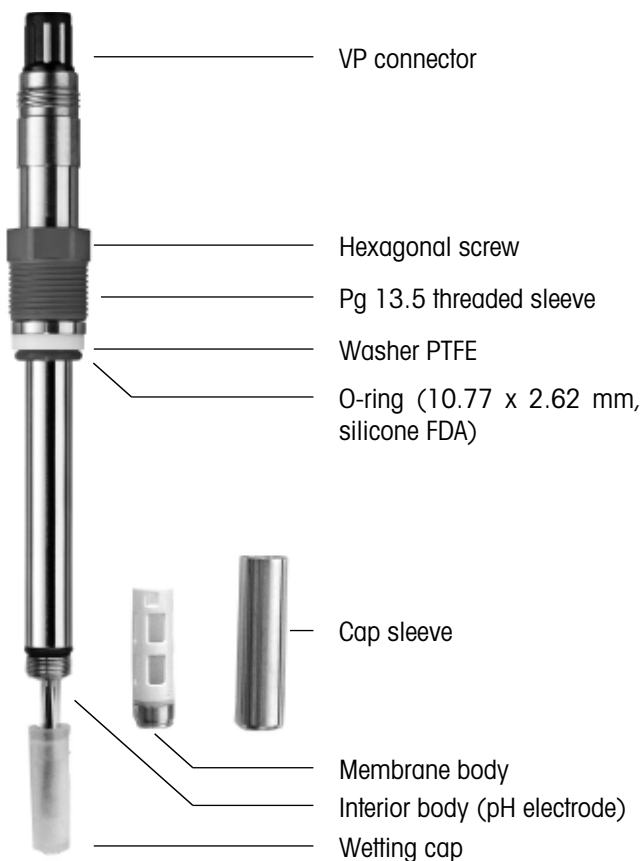
Membrane body and cap sleeve are not mounted.

The interior body is protected against drying out with a wetting cap, filled with CO₂-electrolyte.

Please check completeness.

3.4 Equipment features

InPro 5000



InPro 5000 i

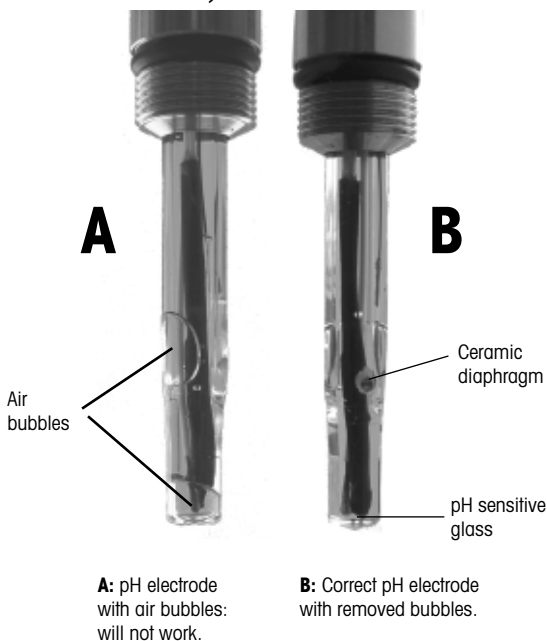


4 Preparation

4.1 Start-up

The interior body (pH electrode) is ready for calibration.

- On unpacking, check the pH electrode for mechanical damage. Report any damage immediately to your METTLER TOLEDO supplier.
- Remove the watering cap, cap sleeve, membrane body and briefly rinse the sensor with de-ionized water.
- After rinsing, the sensor should only be dapped dry with a tissue. Do not rub the pH sensitive glass, since this can lead to electrostatic charging and sluggish response times.
- Check inside the pH sensitive glass for the presence of any air bubbles and remove same by gently swinging in a vertical plane (shaking down as with a thermometer).

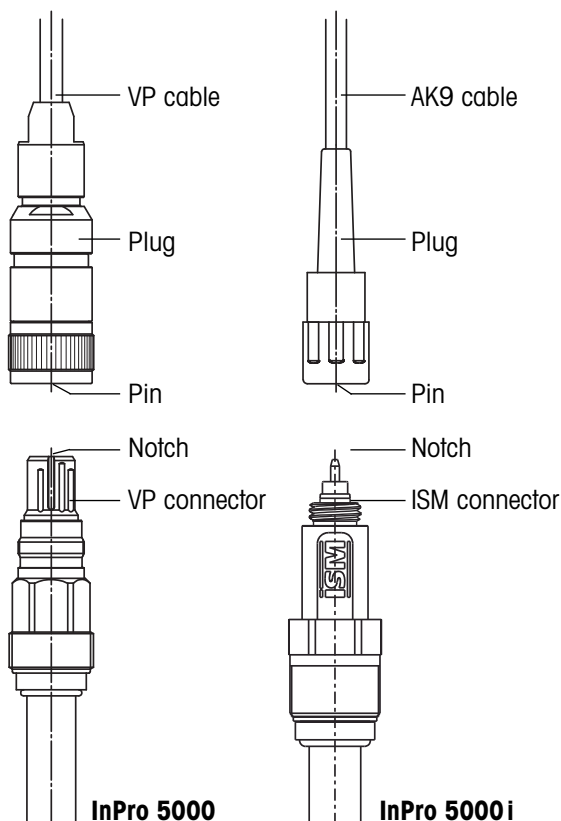


Before using the sensor for the first time, make sure that the interior body (pH electrode) is well fixed into the steel body. The VP connector must not be rotated in the shaft. If so, the inner part has to be fixed by tightening the small **hexagonal screw** below the connector.

4.2 Calibration

Purpose of calibration: Each CO₂ sensor and Interior body (pH electrode) has its individual slope and zero point.

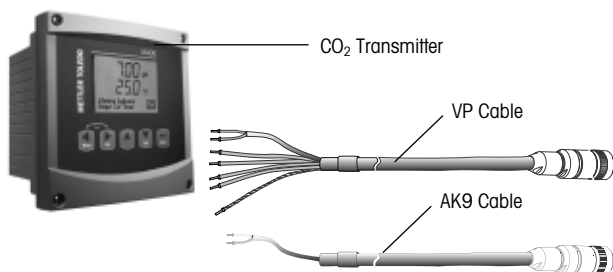
4.2.1 Connecting the InPro 5000(i) to cable



The sensor is connected to the transmitter via a VP or AK9 cable ensuring a secure connection under harsh industrial conditions. The robust watertight IP 68 connector housing guarantees maximum process safety.

To connect the VP cable to the sensor align the notch of the VP connector with the key in the plug. Then tightly screw the plug to fasten the two parts.

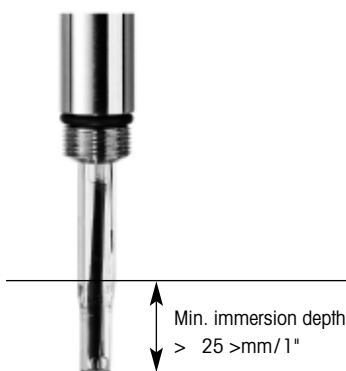
4.2.2 Connecting the cable to the transmitter



For connecting the sensor please refer to the manual of the transmitter.

4.2.3 Calibration of pH electrode

(Not needed for ISM digital InPro 5000 i)



Prepare electrode as described in section 4.1 "Start-up". For the analog CO₂ sensor InPro 5000, we recommend a 2-point calibration in pH buffer pH 7.00 and pH 9.21. Before calibration, first remove wetting cap. Normally you start with buffer pH 7.00 for determining zero point and then buffer pH 9.21 for determining the slope. Please refer to instruction manual of the transmitter for further details.



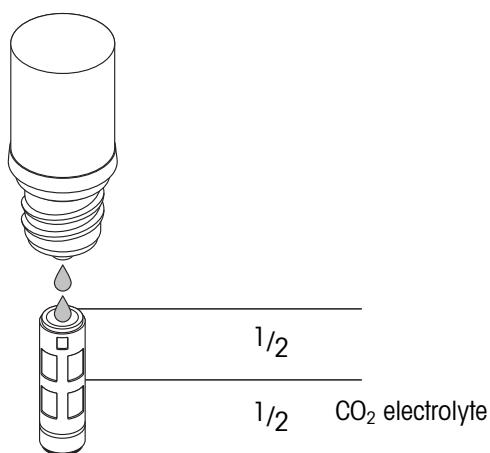
Important settings: On the transmitter, select Pt1000 as temperature sensor for the analog InPro 5000. ISM digital InPro 5000 i does not require a temperature setting.



Important: Please do not leave the sensor in the calibration buffer for longer than 1 hour. Too long exposure may result in a high sensor drift in the process.

4.3 Mounting the membrane body

- After calibration of the pH electrode rinse the pH electrode with de-ionized water and carefully dab it with a paper tissue.
- Fill the new membrane body half way with CO₂ electrolyte.



Make sure that all air bubbles are removed from the membrane body. Air bubbles can be removed by carefully tapping on the membrane body.

- Slip the membrane body over the pH electrode while holding the sensor in a vertical position. The excess electrolyte will be displaced should be wiped dry with a paper tissue.



Important: No electrolyte, sample media or contamination may be present between the membrane body and the cap sleeve. Please check carefully.

- Carefully slip the cap sleeve over the fitted membrane body, holding the sensor in a vertical position and screw it tight. The cap sleeve must be clean and tight.

4.4 Mounting the sensor

Please read carefully the instruction manual of the particular housing (InFit761-... or InTrac797) for correct sensor installation.

The InPro 5000 (i) sensor can be mounted directly on a top plate of a small bioreactor or in a pipe with an inside Pg 13.5 thread and securely tightened via the Pg 13.5 threaded sleeve.



Remark: Mounting upside-down or horizontally is not possible due to internal pH electrode. **An angle of 15° or bigger to horizontal is needed.**

4.5 Sterilization

The installed sensor will be sterilized together with the bioreactor. The InPro5000 is in-situ sterilizable or in an autoclave. After cooling down but before inoculation a process calibration step, as described in chapter 5, is needed to achieve accurate measurements.



Remark: For best accuracy please **wait one hour after cooling down** before process calibration step according chapter 5.1.

5 Operation

5.1 Calibration of the CO₂ sensor

The InPro 5000 (i) sensor can be calibrated with CO₂ gas or a CO₂/N₂ gas mixture. Example: If a CO₂ partial pressure of 150 mbar is expected, you can use a gas with 15 % CO₂/85 % N₂ in nitrogen to achieve best results. The calibration can be made in a gas or liquid phase. For calibration in a solution you have to wait until an equilibrium is reached. Depending on the pH value of the solution a large amount of CO₂ will react to build bicarbonate ions before building-up a constant partial pressure of CO₂.



Recommendations:

- **For small “benchtop” bioreactors** the sensor **can be calibrated by flushing the empty or liquid filled reactor with a CO₂ containing gas mixture.**
- **For larger bioreactors** the gas consumption would be too high and therefore **we recommend the calibration with the aid of the retractable housing InTrac 797.** Please operate the retractable housing according the instruction manual InTrac 797 to ensure sterile operation. Additionally the in- and outlet of the lower flushing chamber must be equipped with sterile filters to avoid any contamination with the calibration gas.

Calibration procedure:

- Sterilize CO₂ sensor InPro 5000 (i) in measuring position (membrane inside bioreactor) together with the bioreactor.
- Sterilize lower and upper flushing chambers of housing InTrac 797.
- After cooling down retract sensor in maintenance position (membrane in lower chamber).
- Flush lower chamber with sterile calibration gas. The pressure inside the flushing chamber must be known for proper calibration.
- After calibration close in- and outlet of the lower chamber and reinsert sensor in measuring position. Sensor is now ready for measurement.

6 Maintenance

6.1 Inspection

6.1.1 Visual inspection

To check the sensor, we recommend the following procedure:

- The contacts of the connector must be dry. Moisture, corrosion and dirt can lead to false readings.
- Check the cable for kinks, brittle areas or tears.
- Examine the membrane foil optically for signs of damage. The foil must be intact and clean. Dirty membranes should be wiped clean using a soft, moist tissue.



Note: An undulated membrane has no influence on the sensor performance, assuming the membrane is intact.

- The membrane body must be replaced if the sensor has a long response time, the reading is unstable or subject to excessive drift, and if the sensor cannot be calibrated with CO₂ gas or the membrane shows sign of mechanical damage.
- Check the pH sensitive glass for cracks. The diaphragm should show a white color. If necessary rinse with deionized water and clean carefully with soft paper tissue.



Attention! Do not use any cleaning agents containing alcohol. This could damage the sensor or lead to fault results.



Attention! The pH electrode is made of glass and therefore fragile.

6.1.2 Checking wiring and transmitter with the pH simulator

Necessary equipment for analog CO₂ sensor InPro 5000:

pH simulator 112 (p/n 31 112 3003) and VP module (p/n 52 120 939).

This equipment enables the testing of the VP cable and correct wiring of the cable to the transmitter. Switch the VP simulator to Pt1000 position. Additionally it is possible to check the linearity, temperature compensation and quality of the input circuit (input resistance and input current) of the CO₂ transmitter.

6.2 Changing the CO₂ electrolyte and membrane body

We recommend to use a new membrane body after each batch (see section 4.3). After each calibration of the pH electrode (section 4.2) new CO₂ electrolyte should be filled in the membrane body.

6.3 Maintenance of the interior body (pH electrode)

If the pH electrode shows a sluggish response time and/or insufficient sensitivity the pH sensitive glass can be reactivated using a HF solution (p/n 51 319 053). The pH sensitive glass part only is immersed into this solution for 5 minutes, is then immediately and thoroughly rinsed with deionized water and then stored in CO₂ Electrolyte up to the diaphragm for 12 hours. This procedure will make the electrode faster but will limit the life time hardly.

6.4 Replacement of the interior body (pH electrode)

Typically after 10–20 sterilization cycles the pH electrode should be replaced. Please refer to the instruction manual of the replacement interior body InPro 5000 (i).

6.5 ISM

DLI: Dynamic Lifetime Indicator

The DLI provides information about the remaining lifetime of the interior body. As long as the DLI is above zero days the system is within the specified accuracy after a calibration. If the DLI is zero the inner body needs to be replaced.

Contributing factors for ageing:

- temperature during measurement
- number of CIP cycles
- number of SIP cycles
- number of autoclavings

The DLI is calculated in the following way.

Continuously: With the above parameters an actual sensor stress is calculated. During the operation the sensor load is increased. The accumulated sensor load divided by the elapsed time is the basis of the calculation of the remaining lifetime.

TTM: Time to Maintenance

The TTM gives an indication when maintenance needs to be performed. Maintenance includes

1. Electrolyte exchange
2. Cleanig of the inner body
3. Replacement of the membrane body

ACT: Adaptive Calibration Timer

The ACT provides information as to when the next calibration is required to ensure measurements will remain within the specified accuracy. This calculation is based on the DLI information.

Calibration history

The last four calibrations and the factory calibration data are stored in the sensor memory. These data can be read out with a transmitter or with the iSense Asset Suite software.

The calibration history gives valuable information regarding the quality of the calibration and the ageing of the interior body.

7 Storage



For storage we recommend to fill the membrane body with fresh CO₂ electrolyte and rebuilt the sensor. The wetting cap, filled with CO₂-electrolyte, will prevent a drying-out of the membrane.

8 Product specification

8.1 Certificates

Each sensor is delivered with a set of 3.1 B certificates (complying with EN 10204/3.1 B).

All wetted metal parts (sensor shaft, cap sleeve and membrane body) are identified with an engraved symbol corresponding to **the heat number** on the paper certificate delivered with the sensor.

Each wetted metal part (sensor shaft, cap sleeve and membrane body) is polished in order to get a surface roughness lower than 0.4 µm (16 µin). This represents a roughness grade number of N5 (according to ISO 1320:1992).

8.2 Specifications

	InPro 5000 (i)
Measurement principle	Potentiometric/Severinghaus
Working conditions	
Mechanical pressure resistance	max. 3 bar at 25 °C [max. 42 psi at 77 °F]
Pressure range measurement	0.2 – 2 bar absolute [3 – 30 psi absolute]
Temperature range (measurement)	0...60 °C [32...140 °F]
Sterilization	< 130 °C [266 °F] in situ or autoclave
Construction	
Temperature signal	InPro 5000 i: Digital InPro 5000: Pt 1000
Cable	InPro 5000 i: AK9 InPro 5000: VP
O-ring material	Viton®, Silicone (FDA approved)
Membrane material	PTFE-silicone (reinforced)
Wetted metal parts	Stainless steel DIN 1.4435 similar to AISI 316L
Dimensions	
Sensor diameter	12 mm (0.47")
Immersion length	120, 220, 320 mm (4.7, 8.66, 12.6")
Performance	
Measuring range	10 – 1000 hPa CO ₂
Accuracy	± 10%, 600 – 900 hPa ≥ ± 10%, > 900 hPa
Detection limit	10 hPa CO ₂
Response time	90% of final value < 120 sec (at 25 °C [77 °F] from air to CO ₂)

9 Ordering information

9.1 Sensors

Designation:

InPro 5000 (i) / 12 / a (a = immersion length in mm)

Designation	Order No.
InPro5000i/12/120	30 013 606
InPro5000i/12/220	30 019 005
InPro5000i/12/320	30 019 006
InPro5000/12/120	52 206 067
InPro5000/12/220	52 206 068
InPro5000/12/320	52 206 069

9.2 Accessories

Accessory	Order No.
VP cable VP6-ST/3M	52 300 108
VP cable VP6-ST/5M	52 300 109
VP cable VP6-ST/10M	52 300 110
AK9 cable/1M	10 000 0102
AK9 cable/3M	10 000 0302
AK9 cable/5M	10 000 0502
AK9 cable/10M	10 000 1002
AK9 cable/20M	52 300 204
ISM Verification Kit	30 031 035
pH simulator 112 for InPro 5000	31 112 3003
VP module for InPro 5000	52 120 939

9.3 Spare parts

Spare part	Order No.
Membrane kit InPro 5000	52 206 055
Cap sleeve, N type 1.4435	52 201 153
Cap sleeve, P type 1.4435	52 201 154
Interior body InPro 5000 i/12/120	30 019 049
Interior body InPro 5000 i/12/220	30 019 170
Interior body InPro 5000 i/12/320	30 019 175
Interior body InPro 5000/12/120	52 206 057
Interior body InPro 5000/12/220	52 206 084
Interior body InPro 5000/12/320	52 206 085
pH buffer pH 7.00 250 ml	51 340 059
pH buffer pH 7.00 6x250 ml	51 340 060
pH buffer pH 9.21 250 ml	51 300 193
pH buffer pH 9.21 6x250 ml	51 300 194

9.4 Transmitter

Compatibility

InPro 5000 i	InPro 5000
M400 Type 3	M400 Type 3
M800	M700 with CO ₂ module

Designation	Order No.
M400 Type 3	52 121 350
M700 CO ₂ 5700i (analog only)	52 121 267
M800 Process 2-Ch	52 121 813
M800 Process 4-Ch	52 121 853

InPro® 5000 (i) CO₂-Sensoren

Bedienungsanleitung

1	Einleitung	23
2	Wichtige Hinweise	24
2.1	Hinweise zur Bedienungsanleitung	24
2.2	Bestimmungsgemäße Verwendung	24
2.3	Sicherheitshinweise	25
3	Produktbeschreibung	26
3.1	Allgemein	26
3.2	Prinzip der CO ₂ -Messung	26
3.3	Lieferumfang	26
3.4	Produktübersicht	27
4	Inbetriebnahme	28
4.1	Start-up	28
4.2	Kalibrierung	29
4.2.1	InPro 5000 (i) Sensor an ein Kabel anschliessen	29
4.2.2	Anschluss des VP-Kabels an den Transmitter	30
4.2.3	Kalibrierung des Innenkörpers (pH-Elektrode)	30
4.3	Membrankörper montieren	31
4.4	Installation des Sensors	32
4.5	Sterilisierung	32
5	Betrieb	33
5.1	Kalibrierung des CO ₂ -Sensors	33
6	Wartung	34
6.1	Überprüfung	34
6.1.1	Visuelle Überprüfung	34
6.1.2	Verkabelung und Transmitter	34
6.2	Auswechseln des CO ₂ -Elektrolyten/Membran.	35
6.3	Wartung des Innenkörpers	35
6.4	Auswechseln des Innenkörpers	35
6.5	ISM	35
7	Lagerung	36
8	Produktspezifikationen	36
8.1	Zertifikate	36
8.2	Spezifikationen	37
9	Bestellinformationen	37
9.1	Sensor	37
9.2	Zubehör	37
9.3	Ersatzteile	38
9.4	Transmitter	38

1 Einleitung

Wir danken Ihnen, dass Sie einen **CO₂-Sensor InPro 5000 (i) von METTLER TOLEDO** erworben haben.

Die Sensoren InPro 5000 (i) sind nach dem heutigen Stand der Technik und den zur Zeit anerkannten sicherheitstechnischen Regeln gebaut. Dennoch können bei unsachgemässer Anwendung Gefahren für den Anwender oder Dritte und/oder Beeinträchtigungen der Anlage und anderer Sachwerte entstehen.



Die vorliegende Bedienungsanleitung muss deshalb vor Beginn der Arbeiten an den Sensoren von den betreffenden Personen gelesen und verstanden werden.

Bitte bewahren Sie die Bedienungsanleitung an einem sicheren Ort auf, wo sie für jeden Anwender jederzeit zur Hand ist.

Wenn Sie Fragen haben, die in dieser Bedienungsanleitung nicht oder nicht ausreichend beantwortet werden, nehmen Sie bitte mit Ihrem METTLER TOLEDO Vertreter Kontakt auf. Man wird Ihnen gerne weiterhelfen.

2 Wichtige Hinweise

2.1 Hinweise zur Bedienungsanleitung

Die vorliegende Bedienungsanleitung enthält alle Angaben, um den Sensor InPro 5000 (i) sicher, sachgerecht und bestimmungsgemäss einzusetzen.

Die Bedienungsanleitung richtet sich an das mit der Bedienung und der Instandhaltung der Sensoren betraute Personal. Es wird vorausgesetzt, dass diese Personen Kenntnisse der Anlage besitzen, in der die Sensoren eingebaut werden.

Warnhinweise und Symbole

In dieser Bedienungsanleitung werden Sicherheitshinweise und Zusatzinformationen mit folgenden Piktogrammen gekennzeichnet:



Dieses Piktogramm kennzeichnet **Sicherheits- und Gefahrenhinweise**, deren Missachtung zu Personen und/oder Sachschäden führen können.



Dieses Piktogramm kennzeichnet **Zusatzinformationen und Anweisungen**, deren Missachtungen zu Defekten, ineffizientem Betrieb oder zum Ausfall der Produktion führen können.

2.2 Bestimmungsgemässe Verwendung

Die InPro 5000 (i)-Sensoren dienen ausschliesslich zur Inline-Messung des gelösten Kohlendioxids (CO₂), gemäss den Angaben in dieser Bedienungsanleitung.

Eine andere oder darüber hinausgehende Benutzung, als in dieser Betriebsanleitung beschrieben, gilt als nicht bestimmungsgemäss. Für hieraus resultierende Schäden haftet der Hersteller/Lieferant nicht. Das Risiko trägt allein der Anwender.

Zur bestimmungsgemässen Verwendung gehören zudem:

- Beachtung der Anweisungen, Vorschriften und Hinweise in der vorliegenden Betriebsanleitung.
- Die Beachtung der lokalen Vorschriften zur Arbeitssicherheit.
- Alle Hinweise und Warnvermerke in den Publikationen zu den Produkten, die zusammen mit dem Sensor verwendet werden (Armaturen, Transmitter etc.).
- Alle Sicherheitsvorschriften der Anlage, in die der Sensor eingebaut wird.
- Die Einhaltung der vorgeschriebenen Inspektions- und Wartungsintervalle.

- Die korrekte Instandhaltung des Sensors entsprechend den Angaben in dieser Bedienungsanleitung.
- Der Betrieb unter Beachtung der vorgeschriebenen Umwelt und Betriebsbedingungen und den zulässigen Einbaulagen.

2.3 Sicherheitshinweise

- Die Sensoren InPro 5000 (i) dürfen nur von Personen installiert, bedient und gewartet werden, die mit diesen Produkten vertraut und für solche Arbeit qualifiziert sind.



- Ein defekter Sensor darf weder montiert noch in Betrieb genommen werden.
- Am Sensor dürfen nur Wartungsarbeiten durchgeführt werden, die in dieser Betriebsanleitung beschrieben sind.
- Verwenden Sie für den Austausch von defekten Komponenten ausschliesslich die Originalersatzteile von METTLER TOLEDO Lieferanten (siehe Kapitel 9).
- An den Sensoren und den Zubehörteilen dürfen keine Änderungen vorgenommen werden. Für Schäden aufgrund von unerlaubten Änderungen haftet der Hersteller/Lieferant nicht. Das Risiko trägt allein der Anwender.

3 Produktbeschreibung

3.1 Allgemein

Der **CO₂-Sensor InPro 5000 (i)** mit integriertem Temperatursfühler dient zur Bestimmung des Gehaltes an gelöstem Kohlendioxid.

Der Sensor ist für die präzise Messung von tiefen und mittleren CO₂-Partialdrücken konzipiert.

Der Sensor ist **sterilisierbar (in-situ oder im Autoklav)** und **kompatibel mit CIP-Systemen** (Cleaning-in-place = Reinigung im eingebauten Zustand).

Der Sensor enthält einen auswechselbaren Innenkörper (pH-Elektrode) mit einem Stahlschaft, die mit einer kleinen **Imbus-Schraube** am Sensorschaft gesichert wird.

3.2 Prinzip der CO₂-Messung

Der Sensor InPro 5000 (i) arbeitet nach einem potentiometrischen Prinzip (Severinghaus) und ist mit einer gasdurchlässigen Membran ausgestattet, welche über eine pH-Elektrode mit einer flachen Glasmembran gespannt ist. CO₂ aus dem Prozess diffundiert solange durch die Membrane in den CO₂-Elektrolyten zwischen Membran und pH-Elektrode, bis sich auf beiden Seiten der gleiche CO₂-Partialdruck (Gleichgewicht) eingestellt hat.

Das diffundierte CO₂ reagiert mit dem Elektrolyten und bildet Hydrogencarbonat- sowie H⁺-Ionen:



Die Änderung der H⁺-Ionenaktivität im Elektrolyten wird mit der pH-Elektrode gemessen. Mit dem pH-Wert und der gleichzeitig gemessenen Temperatur kann der CO₂-Partialdruck berechnet werden.

3.3 Lieferumfang

Jeder InPro 5000 (i) Sensor wird geprüft ausgeliefert mit:

- CO₂-Elektrolyt
- einem Qualitäts-Kontrollzertifikat
- Zulassungszertifikat 3.1 (entsprechend EN 10204.3/3.1)

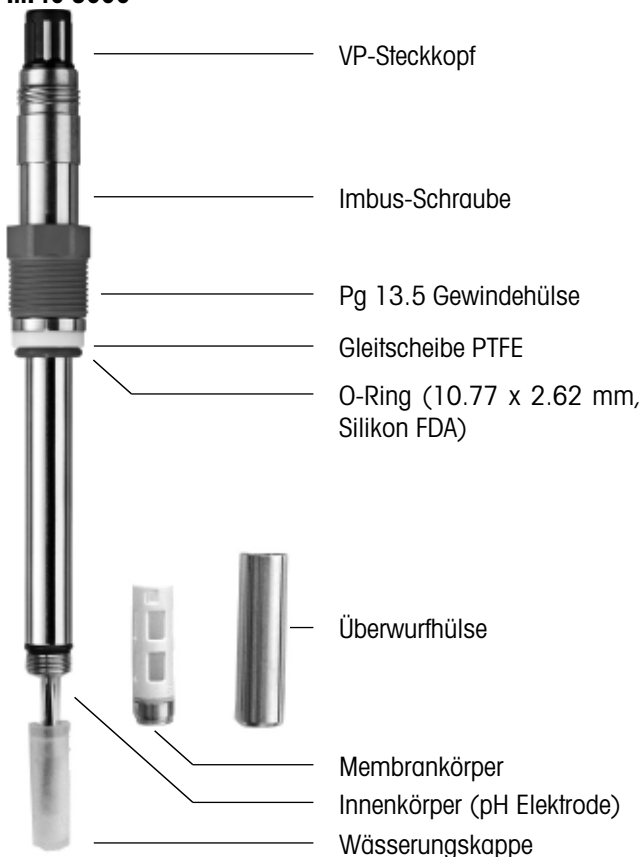
Der Membrankörper und die Überwurfhülse sind nicht montiert.

Der Innenkörper wird durch eine Wässerungskappe, gefüllt mit CO₂-Elektrolyt, vor dem Austrocknen geschützt.

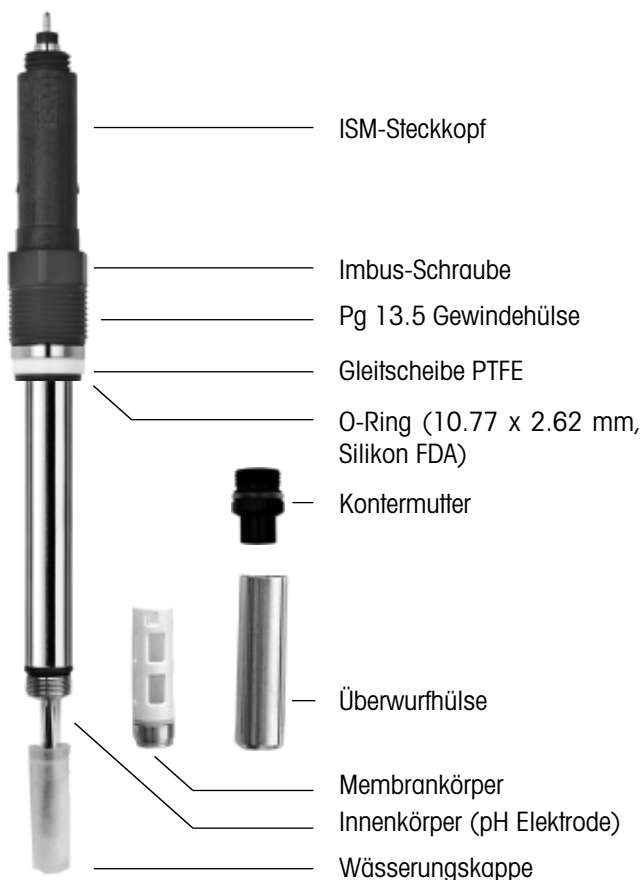
Bitte überprüfen Sie die Lieferung auf Vollständigkeit.

3.4 Produktübersicht

InPro 5000



InPro 5000 i

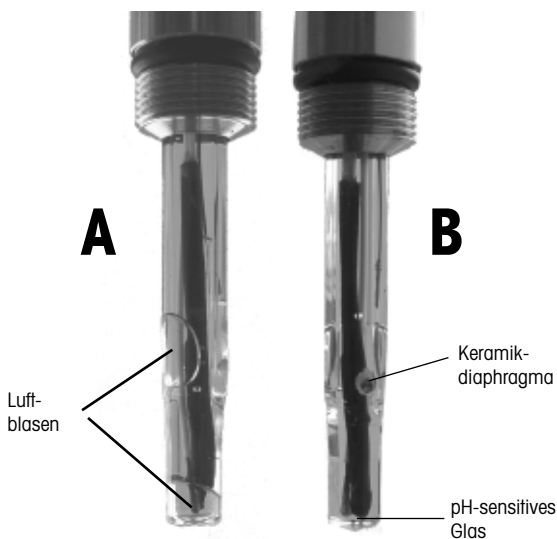


4 Inbetriebnahme

4.1 Start-up

Der Innenkörper (pH-Elektrode) ist bereit für die Kalibrierung.

- Innenkörper auf mechanische Beschädigung prüfen (Risse, Bruch). Eventuelle Schäden sofort Ihrem METTLER TOLEDO Lieferanten melden.
- Wässerungskappe, Überwurfhülse und Membrankörper entfernen und Elektrode mit entionisiertem Wasser spülen.
- Nach dem Spülen Elektrode nur mit einem Papiertuch abtupfen. Abreiben der pH-sensitiven Membran führt zu elektrostatischen Aufladungen und verschlechterter Ansprechzeit.
- Innenelektrolyt der pH-Elektrode auf Blasenfreiheit prüfen. Durch eine Schwingbewegung nach unten, wie beim Fieberthermometer, lassen sich Luftblasen entfernen.



A: pH-Elektrode mit Luftblasen wird nicht richtig arbeiten.

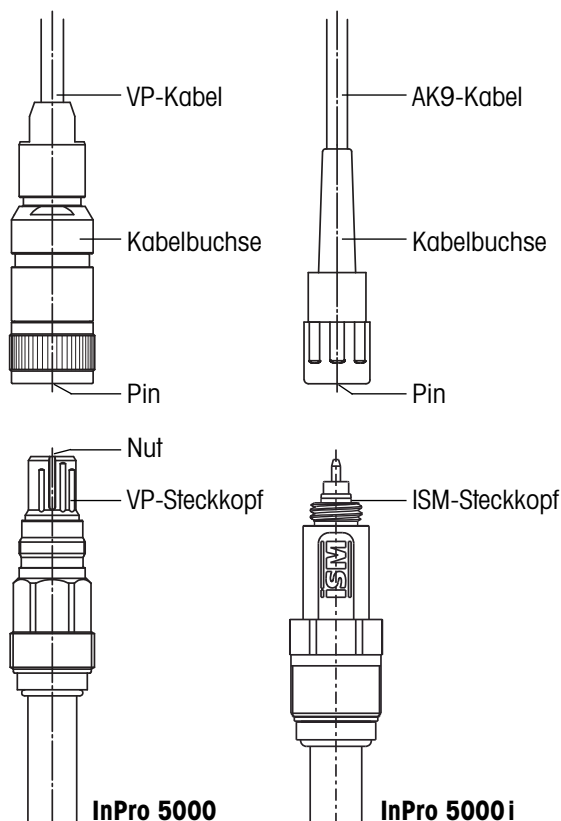
B: korrekte pH-Elektrode ohne Luftblasen.

Bevor der Sensor das erste Mal benutzt werden kann, muss geprüft werden, ob der Innenkörper (pH-Elektrode) korrekt im äusseren Stahlschaff montiert ist. Der VP-Steckkopf darf sich nicht drehen lassen. Sonst muss die kleine **Imbus-Schraube** unterhalb des Steckkopfs stärker angezogen werden.

4.2 Kalibrierung

Zweck der Kalibrierung: Jeder CO₂-Sensor und jeder Innenkörper (pH-Elektrode) besitzt eine individuelle Steigung und Nullpunkt.

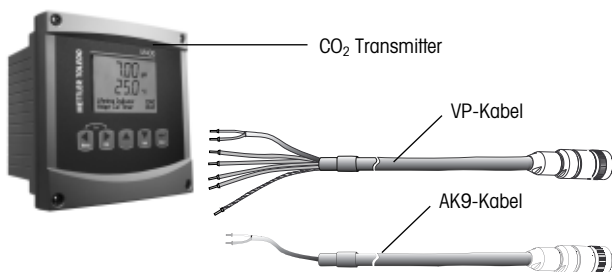
4.2.1 InPro 5000 (i) Sensor an ein Kabel anschliessen



Der Sensor wird über ein VP- oder AK9-Kabel an den Transmitter 5100e angeschlossen. Das VP-Kabel garantiert eine sichere Verbindung zwischen Sensor und Transmitter, auch unter harten industriellen Bedingungen. Der robuste, wasserdichte Stecker entspricht der Schutz-klasse IP 68 und garantiert hohe Prozesssicherheit.

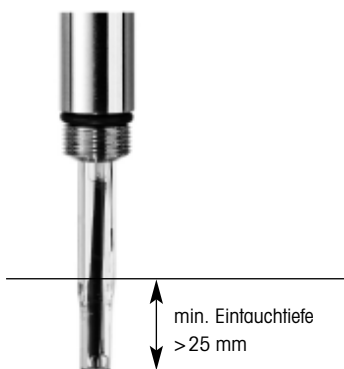
Um das VP-Kabel am Sensor anzuschliessen, richten Sie die Nut am VP-Stecker mit dem Nocken in der Kabelbuchse aus. Anschliessend die Buchse auf den Stecker schieben und fest anschrauben.

4.2.2 Anschluss des Kabels an den Transmitter



Zum Anschliessen des Sensors siehe Transmitterhandbuch.

4.2.3 Kalibrierung des Innenkörpers (pH-Elektrode) (nicht nötig für den ISM Sensor InPro 5000i)



Innenkörper (pH-Elektrode) gemäss Beschreibung in Kapitel 4.1 „Start-up“ vorbereiten. Für den analogen CO₂ Sensor InPro 5000 empfehlen wir eine 2-Punkt-Kalibrierung in pH-Puffer pH 7.00 und pH 9.21. Vor der Kalibrierung Wässerungskappe entfernen. In pH-Puffer pH 7.00 wird der Nullpunkt und in Puffer pH 9.21 die Steilheit der pH-Messkette kalibriert. Bitte die Anweisungen in der Betriebsanleitung des Transmitters beachten.



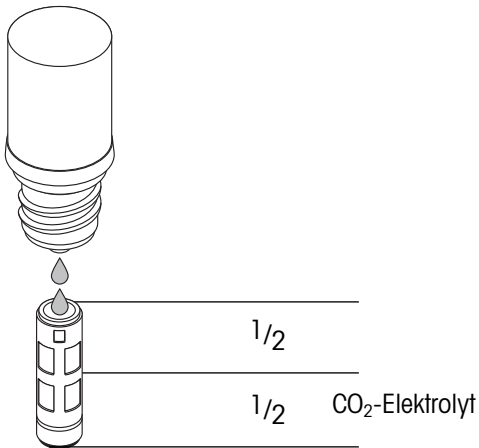
Wichtige Einstellung: Transmitter auf Pt 1000 Temperaturfühler konfigurieren für den analogen InPro 5000. Der digitale ISM Sensor InPro 5000i benötigt keine Temperatureinstellung.



Wichtig: Den Sensor keinesfalls länger als 1 Stunde im Kalibrierpuffer lassen. Zu lange Verweildauer kann dazu führen, dass der Sensor im Prozess stark driftet.

4.3 Membrankörper montieren

- Nach der Kalibrierung den Innenkörpers (pH-Elektrode) mit entionisiertem Wasser abspülen und vorsichtig mit Papiertuch abtupfen.
- Neuer Membrankörper halb mit CO₂-Elektrolyt auffüllen.



Darauf achten, dass sich im Innenelektrolyt der pH-Elektrode keine Luftblasen befinden. Durch eine Schwingbewegung nach unten, wie beim Fieberthermometer, lassen sich Luftblasen entfernen.

- Membrankörper über die senkrecht gehaltene pH-Elektrode schieben. Überschüssiger Elektrolyt wird herausgedrückt und soll mit einem Papiertuch abgewischt werden.



Wichtig: Zwischen Überwurfhülse und Membrankörper soll sich kein Elektrolyt befinden. Bitte sorgfältig prüfen.

- Überwurfhülse sorgfältig über den Membrankörper schieben, währenddem der Sensor senkrecht gehalten wird. Überwurfhülse handfest anschrauben. Die Überwurfhülse muss sauber und dicht sein.

4.4 Installation des Sensors

Der Einbau des Sensors in eine Armatur wie InFit761-... oder InTrac797 ist in den jeweiligen Anleitungen genau beschrieben.

Der InPro 5000 (i) Sensor kann auch direkt in die Deckelplatte eines kleinen Bioreaktors oder in eine Rohrleitung eingebaut werden, sofern ein Pg 13.5 Innengewinde vorhanden ist.



Anmerkung: Installation von unten nach oben oder horizontal ist aufgrund der internen pH-Elektrode nicht möglich. **Ein Einbauwinkel von 15° oder grösser gegenüber horizontal ist nötig.**

4.5 Sterilisierung

Der eingebaute Sensor kann zusammen mit dem Bioreaktor sterilisiert werden. Der InPro 5000 Sensor ist in-situ oder im Autoklaven sterilisierbar. Um die Genauigkeit der Messung zu gewährleisten ist nach dem Abkühlen, aber vor der Beimpfung, eine Prozesskalibrierung nötig (siehe Kapitel 5).



Anmerkung: Zur Erzielung bester Ergebnisse bitte **1 Stunde warten** vor dem Kalibrierungsschritt, wie in Kapitel 5.1 beschrieben.

5 Betrieb

5.1 Kalibrierung des CO₂-Sensors

Der InPro 5000 (i) Sensor kann mit CO₂-Gas oder mit einer CO₂/N₂-Gasmischung kalibriert werden.

Beispiel: Wenn in der Fermentation ein CO₂-Partialdruck von 150 mbar erwartet wird, kann mit Vorteil ein Gasgemisch 15 % CO₂/85 % N₂ verwendet werden. Die Kalibrierung kann sowohl in Flüssigkeiten wie in der Gasphase durchgeführt werden. Bei der Kalibrierung in einer Flüssigkeit muss solange CO₂-haltiges Gas zugeführt werden, bis sich der Gleichgewichtszustand eingestellt hat. Abhängig vom pH-Wert lösen sich beträchtliche Mengen an CO₂ unter Bildung von Bicarbonat bevor sich ein konstanter CO₂-Partialdruck aufbauen kann.



Empfehlungen:

- In **kleinen Bioreaktoren** kann der Sensor **kalibriert** werden, indem der **leere oder gefüllte Reaktor mit CO₂-haltigem Gas durchgespült wird**.

Für **grosse Bioreaktoren** ist der Gasverbrauch zu gross, daher **empfehlen wir die Kalibrierung in einer Wechselarmatur InTrac 797**. Zur korrekten Bedienung der Sterilarmatur InTrac 797 bitte unbedingt die Betriebsanleitung der Armatur studieren. Die Zu- und Abgänge der unteren Spülkammer müssen zusätzlich mit Sterilfiltern versehen werden, um eine Kontamination durch das Gas zu vermeiden.

Schritte zur Kalibrierung:

- CO₂-Sensor InPro 5000 (i) in der Messposition der Armatur sterilisieren (Membran befindet sich im Reaktor).
- Untere und obere Spülkammer der Wechselarmatur InTrac 797 sterilisieren.
- Nach dem Abkühlen beweglichen Teil der Armatur zurück in Wartungsposition ziehen (Membrane befindet sich nun in der unteren Spülkammer).
- Untere Spülkammer mit dem sterilen Kalibriergas fluten. Der Druck in der Spülkammer muss für eine korrekte Kalibrierung bekannt sein.
- Nach der Kalibrierung die Zu- und Abgänge der unteren Spülkammer schliessen und beweglichen Teil der Armatur in Messposition schieben. Der Sensor ist nun messbereit.

6 Wartung

6.1 Überprüfung

6.1.1 Visuelle Überprüfung

Zur Prüfung des Sensors empfehlen wir folgendes Vorgehen:

- Die Kontakte am Steckkopf müssen trocken sein. Feuchtigkeit, Korrosionsprodukte oder Schmutz könnten zu Messfehlern führen.
- VP-Kabel auf Risse und andere Beschädigungen prüfen.
- Membran visuell auf Beschädigung überprüfen. Die Membrane muss sauber und intakt sein. Verschmutzte Membranen können mit einem weichen Papiertuch abgewischt werden.



Anmerkung: Eine leicht verformte Membran hat keinen Einfluss auf die Leistung des Sensors, solange die Membrane intakt ist.

- Der Membrankörper muss ersetzt werden, wenn der Sensor langsam anspricht, die Anzeige instabil ist oder driftet, wenn der Sensor nicht mehr in CO₂-Gas kalibriert werden kann oder die Membrane Anzeichen mechanischer Beschädigung aufweist.
- pH-sensitive Glasmembran auf mechanische Beschädigung prüfen. Das Diaphragma sollte weiss sein. Wenn nötig, Elektrode mit entionisiertem Wasser spülen und mit einem Papiertuch abtupfen.

Vorsicht: Keine alkoholhaltigen Reinigungsmittel verwenden. Dies könnte den Sensor beschädigen oder Messfehler verursachen.



Vorsicht: Die pH-Elektrode besteht aus Glas und ist zerbrechlich.

6.1.2 Verkabelung und Transmitter mit dem pH-Simulator überprüfen

Notwendiges Zubehör für den analogen CO₂-Sensor InPro 5000:

pH-Simulator 112 (Bestellnummer 31 112 3003) mit VP-Modul (Bestellnummer 52 120 939).

Mit diesem Zubehör lassen sich das VP-Kabel und der korrekte Anschluss am Transmitter überprüfen. Pt 1000 am VP-Modul wählen. Zusätzlich ist es möglich, die Linearität, die korrekte Temperaturkompensation und die Qualität der Eingangsstufe (Eingangswiderstand, Eingangsstrom) des CO₂-Transmitters zu überprüfen.

6.2 Auswechseln des CO₂-Elektrolyten und des Membrankörpers

Wir empfehlen, nach jedem Batch einen neuen Membrankörper zu verwenden. Nach der Kalibrierung des Innenkörpers (pH-Elektrode) ist jeweils neuer Elektrolyt einzufüllen (Kapitel 4.3).

6.3 Wartung des Innenkörpers (pH-Elektrode)

Wenn die pH-Elektrode schleppend anspricht oder die Steigung nach Nernst sinkt, kann das pH-sensitive Glas mit der Reaktivierungslösung (Bestellnummer 51 319 053) behandelt werden. Das pH-sensitive Glas darf höchstens 5 Minuten der Reaktivierungslösung ausgesetzt werden und muss sofort intensiv mit entionisiertem Wasser gespült werden. Nach einer 12-stündigen Lagerung in CO₂-Elektrolyt ist der Innenkörper wieder messbereit. Eine solche Reaktivierung macht den Innenkörper wieder schneller, verkürzt aber erheblich dessen Lebensdauer.

6.4 Auswechseln des Innenkörpers (pH-Elektrode)

Üblicherweise nach 10–20 Sterilisationen muss der Innenkörper (pH-Elektrode) ersetzt werden. Bitte beachten Sie die ausführliche Anleitung im Austauschkit.

6.5 ISM

DLI: Dynamische Anzeige der Lebensdauer (DLI)

Die DLI liefert Informationen zur verbleibenden Nutzungsdauer des Innenkörpers. Solange die DLI einen Wert grösser null zeigt, befindet sich das System exakt im vorgegebenen Genauigkeitsbereich nach einer Kalibrierung. Zeigt die DLI null an, muss der Innenkörper sofort ersetzt werden.

Verschleissfaktoren:

- Temperatur während der Messung
- Anzahl CIP-Zyklen
- Anzahl SIP-Zyklen
- Anzahl der Autoklavierzyklen

Die DLI wird wie folgt berechnet:

Kontinuierlich: Unter Berücksichtigung oben genannter Parameter erfolgt die Berechnung der tatsächlichen Belastung, der der Sensor ausgesetzt ist. Während des Betriebs steigt die Belastung für den Sensor. Die über die Zeit aufgetretene Sensorbelastung geteilt durch die bereits vergangene Zeit bildet die Basis der Berechnung der noch verbleibenden Nutzungsdauer.

TTM: Verbleibende Nutzungsdauer

Die TTM gibt an, wann die nächste Wartung fällig ist. Die Wartung umfasst:

1. Elektrolytwechsel
2. Reinigen des Innenkörpers
3. Austausch des Membrankörpers

ACT: Adaptiver Kalibriertimer (ACT)

Der ACT liefert Informationen darüber, wann die nächste Kalibrierung fällig ist. Er sorgt dafür, dass die Messungen innerhalb der spezifizierten Genauigkeit liegen. Die Berechnung basiert auf den DLI-Informationen.

Kalibrierhistorie

Die Daten der letzten vier Kalibrierungen und der Werkskalibrierung sind im Sensor gespeichert. Diese Daten können mit einem Transmitter oder mit der Software iSense Asset Suite ausgelesen werden.

Die Kalibrierhistorie liefert wertvolle Informationen über die Qualität der Kalibrierung und den Verschleiss des Innenkörpers.

7 Lagerung



Zur Lagerung des Sensors empfehlen wir, den Membrankörper mit frischem CO₂-Elektrolyt zu füllen und zusammenzubauen. Die mit CO₂-Elektrolyt gefüllte Wässerungskappe verhindert ein Austrocknen der Membrane beim Lagern.

8 Produktspezifikationen

8.1 Zertifikate

Jeder Sensor wird mit einem Set von Zertifikaten ausgeliefert (MaxCert):

3.1 B-Zertifikat für die Stahlteile nach EN 10204/3.1 B. Alle medienberührten Metallteile (Sensorschaft, Überwurfmutter, Membrankörper) sind mit einer Nummer versehen, die sich auf das mitgelieferte Zertifikat bezieht.

Alle medienberührten Teile (Sensorschaft, Überwurfmutter, Membrankörper) sind poliert mit einer Rauigkeit kleiner 0.4 µm, entsprechend N5 (ISO 1320:1992).

8.2 Spezifikationen

	InPro 5000 (i)
Messprinzip	potentiometrisch, Severinghaus
Betriebsbedingungen	
Mechanischer Druckbereich	max. 3 bar bei 25 °C
Druckbereich Messung	0.2 – 2 bar absolut
Temperaturbereich (Messung)	0...60 °C
Sterilisation	< 130 °C in situ oder im Autoklaven
Konstruktionsmerkmale	
Temperatursignal	InPro 5000 i: Digital InPro 5000: Pt 1000
Steckverbindung	InPro 5000 i: AK9 InPro 5000: VP
O-Ringe (Material)	Viton®, Silikon (FDA-konform)
Membrane (Material)	Silikon, PTFE, mit Stahlnetz verstärkt
Metall, medienberührt	rostfreier Stahl DIN 1.4435
Abmessungen	
Sensordurchmesser	12 mm
Sensor-Eintauchtiefe	120, 220, 320 mm
Sensorleistung	
Messbereich	10 – 1000 hPa CO ₂
Genauigkeit	± 10%, 600 – 900 hPa ≥ ± 10%, > 900 hPa
Nachweisgrenze	10 hPa CO ₂
Ansprechzeit	< 120 Sek. zum 90 % Endwert (bei 25 °C von Luft zu CO ₂)

9 Bestellinformationen

9.1 Sensor

Typenbezeichnung:

InPro 5000 (i) / 12 / a (a = Eintauchtiefe in mm)

Typenbezeichnung	Bestell-Nr.
InPro5000i/12/120	30 013 606
InPro5000i/12/220	30 019 005
InPro5000i/12/320	30 019 006
InPro5000/12/120	52 206 067
InPro5000/12/220	52 206 068
InPro5000/12/320	52 206 069

9.2 Zubehör

Zubehör	Bestell-Nr.
VP-Kabel VP6-ST/3M	52 300 108
VP-Kabel VP6-ST/5M	52 300 109
VP-Kabel VP6-ST/10M	52 300 110
AK9 Kabel/1M	10 000 0102
AK9 Kabel/3M	10 000 0302
AK9 Kabel/5M	10 000 0502
AK9 Kabel/10M	10 000 1002
AK9 Kabel/20M	52 300 204
ISM Verifizierungskit	30 031 035
pH-Simulator 112 für InPro 5000	31 112 3003
VP-Modul für InPro 5000	52 120 939

9.3 Ersatzteile

Ersatzteil	Bestell-Nr.
Membrankit InPro 5000	52 206 055
Überwurfhülse, P-Typ 1.4404	52 200 038
Überwurfhülse, N-Typ 1.4435	52 201 153
Überwurfhülse, P-Typ 1.4435	52 201 154
Innenkörper InPro 5000i/12/120	30 019 049
Innenkörper InPro 5000i/12/220	30 019 170
Innenkörper InPro 5000i/12/320	30 019 175
Innenkörper InPro 5000/12/120	52 206 057
Innenkörper InPro 5000/12/220	52 206 084
Innenkörper InPro 5000/12/320	52 206 085
pH Buffer pH 7.00 250 ml	51 340 059
pH Buffer pH 7.00 6x250 ml	51 340 060
pH Buffer pH 9.21 250 ml	51 300 193
pH Buffer pH 9.21 6x250 ml	51 300 194

9.4 Transmitter

Kompatibilität

InPro 5000 i	InPro 5000
M400 Typ 3	M400 Typ 3
M800	M700 mit CO ₂ -Modul

Beschreibung	Bestell-Nr.
M400 Typ 3	52 121 350
M700 CO ₂ 5700i (nur analog)	52 121 267
M800 Process 2-Ch	52 121 813
M800 Process 4-Ch	52 121 853

Sondes CO₂ InPro® 5000(i)

Instructions d'utilisation

1	Introduction	41
2	Remarques importantes	42
2.1	Remarques concernant la notice d'emploi	42
2.2	Utilisation prévue	42
2.3	Consignes de sécurité	43
3	Description du produit	44
3.1	Informations générales	44
3.2	Principe de la mesure du CO ₂	44
3.3	Livraison	44
3.4	Aperçu du produit	45
4	Mise en service	46
4.1	Préparatifs	46
4.2	Etalonnage	47
4.2.1	Connexion du capteur InPro 5000 au câble VP	47
4.2.2	Connexion du câble VP au transmetteur	48
4.2.3	Etalonnage du corps interne (électrode de pH)	48
4.3	Montage du corps de membrane	49
4.4	Installation du capteur	49
4.5	Stérilisation	50
5	Fonctionnement	50
5.1	Etalonnage du capteur CO ₂	50
6	Maintenance	51
6.1	Contrôle	51
6.1.1	Examen visuel	51
6.1.2	Vérifier le câblage et le transmetteur	51
6.2	Remplacement de l'électrolyte CO ₂ /membrane	52
6.3	Maintenance du corps interne	52
6.4	Remplacement du corps interne	52
6.5	ISM	52
7	Conservation	53
8	Spécifications du produit	53
8.1	Certificats	53
8.2	Spécifications	54
9	Informations pour la commande	54
9.1	Capteur	54
9.2	Accessoires	54
9.3	Pièces de rechange	55
9.4	Transmetteur	55

1 Introduction

Nous vous remercions d'avoir acheté un **capteur CO₂ InPro 5000 (i) de METTLER TOLEDO**.

Les capteurs InPro 5000 (i) sont construits selon l'état actuel de la technique et selon les règles de sécurité technique reconnues. Un emploi inadéquat peut toutefois mettre en danger l'opérateur ou des tiers, et/ou endommager l'installation ou d'autres biens matériels.



C'est pourquoi les personnes concernées doivent lire et comprendre la présente notice d'emploi avant d'utiliser les capteurs.

Veillez conserver la notice d'emploi en lieu sûr et à portée de main de chaque opérateur.

Pour toute question à laquelle cette notice d'emploi ne répond pas ou donne une réponse insuffisante, veuillez vous adresser à votre agence locale METTLER TOLEDO qui se fera un plaisir de vous répondre.

2 Remarques importantes

2.1 Remarques concernant la notice d'emploi

La présente notice d'emploi donne toutes les indications pour un emploi sûr et approprié du capteur InPro 5000 (i), conforme à l'utilisation prévue.

Cette notice d'emploi s'adresse au personnel en charge de l'utilisation et de la maintenance des capteurs, personnel qui est supposé connaître l'installation dans laquelle les capteurs sont intégrés.

Notes et symboles d'avertissement

Dans cette notice d'emploi, les consignes de sécurité et informations complémentaires sont signalées par les pictogrammes suivants :



Ce symbole attire l'attention sur les **consignes de sécurité et avertissements** qui, s'ils ne sont pas respectés, peuvent entraîner des blessures et/ou des dommages matériels.



Ce symbole signale des **informations ou instructions complémentaires** qui, si elles ne sont pas prises en considération, pourraient occasionner des défauts, un fonctionnement inefficace ou un éventuel arrêt de production.

2.2 Utilisation prévue

Comme le décrit le présent manuel, les capteurs InPro 5000 (i) sont uniquement destinés à la mesure en ligne du dioxyde de carbone (CO₂) dissous.

Toute autre utilisation, ou utilisation non mentionnée dans le présent manuel, est considérée comme non prévue. Le fabricant/fournisseur décline toute responsabilité en cas de dommage résultant d'une utilisation non prévue. L'utilisateur assume seul le risque.

L'utilisation prévue inclut de plus:

- le respect des instructions, directives et remarques de cette notice d'emploi,
- le respect de la législation locale en matière de sécurité du travail,
- le respect de toutes les remarques et avertissements donnés dans les publications concernant les produits utilisés avec les capteurs (supports, transmetteur, etc.),
- le respect de toutes les consignes de sécurité concernant le système sur lequel le capteur est installé,
- le respect des intervalles d'inspection et de maintenance prescrits,

- l'entretien correct du capteur, conformément aux indications de cette notice d'emploi,
- le respect des conditions de fonctionnement et environnementales prescrites ainsi que des positions d'installation autorisées.

2.3 Consignes de sécurité

- L'installation, l'utilisation et la maintenance des capteurs InPro 5000 (i) ne doivent être confiées qu'à des personnes qui connaissent ces produits et qui sont qualifiées pour ce genre de travaux.
- Ne pas installer ni mettre en service un capteur défectueux.
- Sont seuls permis les travaux de maintenance des capteurs mentionnés dans cette notice d'emploi.
- Pour remplacer des pièces défectueuses, n'utiliser que des pièces de rechange d'origine de fournisseurs METTLER TOLEDO (voir chapitre 9).
- Il n'est pas permis de procéder à des modifications des capteurs et de leurs accessoires. Le fabricant/fournisseur décline toute responsabilité en cas de dommage résultant de modifications non autorisées. L'utilisateur assume seul le risque.



3 Description du produit

3.1 Informations générales

Le **capteur CO₂ InPro 5000 (i)**, avec capteur de température intégré, sert à mesurer la teneur en dioxyde de carbone dissous.

Le capteur est conçu pour la mesure exacte de pressions partielles de CO₂ faibles et moyennes.

Le capteur est **stérilisable (en place ou en autoclave)** et est **compatible avec les systèmes CIP** (Cleaning-in-place = nettoyage en place).

Le capteur comporte un corps interne amovible (électrode de pH) et une gaine en acier maintenue sur la tige du capteur par une petite **vis à six pans creux**.

3.2 Principe de la mesure du CO₂

Le capteur InPro 5000 (i) fonctionne sur le principe potentiométrique (Severinghaus) et est équipé d'une membrane perméable au gaz tendue par-dessus une électrode de pH à membrane de verre plane. Le CO₂ du procédé diffuse par la membrane dans l'électrolyte CO₂, entre la membrane et l'électrode de pH, jusqu'à ce que la pression partielle de CO₂ soit égale (équilibre) des deux côtés.

Le CO₂ qui a diffusé réagit avec l'électrolyte et forme des ions hydrogénocarbonate et H⁺ :



L'électrode de pH mesure le changement d'activité ionique des ions H⁺ dans l'électrolyte. La pression partielle de CO₂ peut être calculée à partir du pH et de la température, qui est mesurée simultanément.

3.3 Livraison

Chaque sonde InPro 5000 (i) est livrée vérifiée, avec:

- un flacon d'électrolyte CO₂
- un certificat de contrôle de la qualité
- un certificat 3.1
(correspondant à EN 10204.3/3.1)

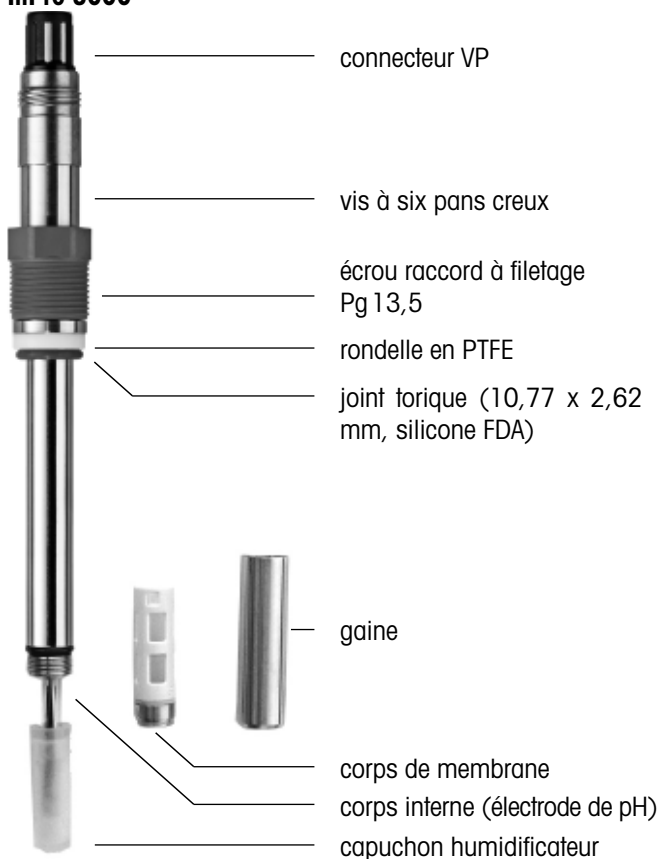
Le corps de membrane et la douille ne sont pas montés.

La membrane est protégée de la dessiccation par un capuchon humidificateur rempli d'électrolyte CO₂.

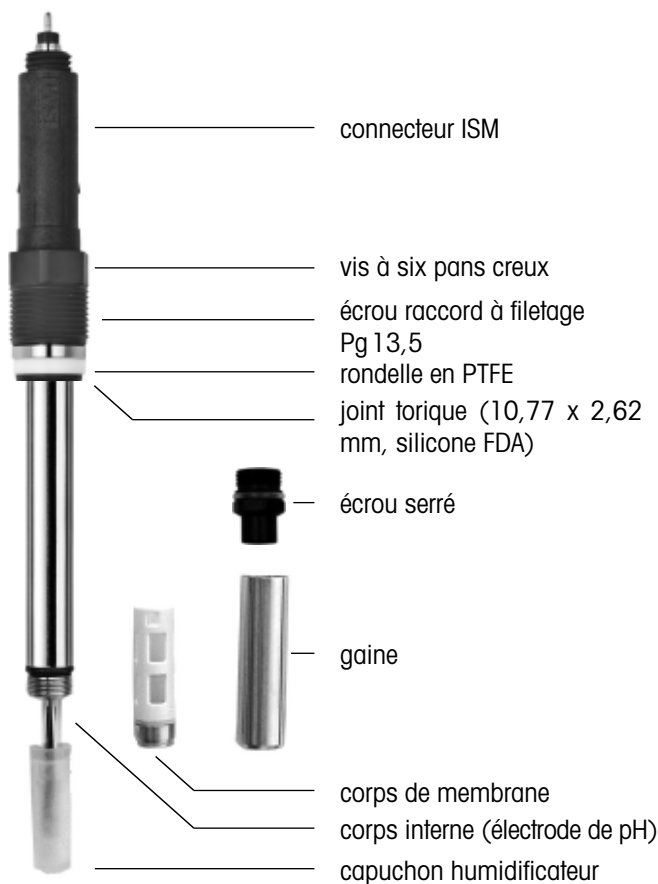
Veuillez vérifier que la livraison est complète.

3.4 Aperçu du produit

InPro 5000



InPro 5000 i

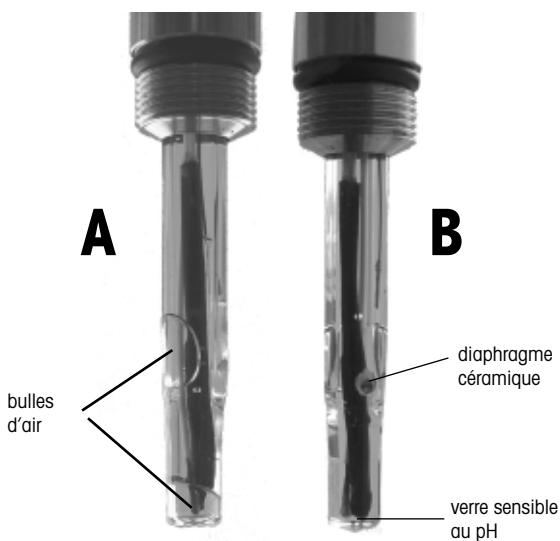


4 Mise en service

4.1 Préparatifs

Le corps interne (électrode de pH) est prêt pour l'étalonnage.

- Vérifiez l'absence de dommages mécaniques sur le corps interne (fissures, cassure). Signalez immédiatement d'éventuels dommages à votre fournisseur METTLER TOLEDO.
- Enlevez le capuchon humidificateur, la gaine et le corps de membrane et rincez l'électrode avec de l'eau déminéralisée.
- Après avoir rincé l'électrode, la tamponner avec un mouchoir en papier. Frotter la membrane sensible au pH entraîne des charges électrostatiques et augmente le temps de réponse.
- Après avoir rincé l'électrode, la tamponner avec un mouchoir en papier. Frotter la membrane sensible au pH entraîne des charges électrostatiques et augmente le temps de réponse.



A: une électrode de pH contenant des bulles d'air ne fonctionnera pas correctement.

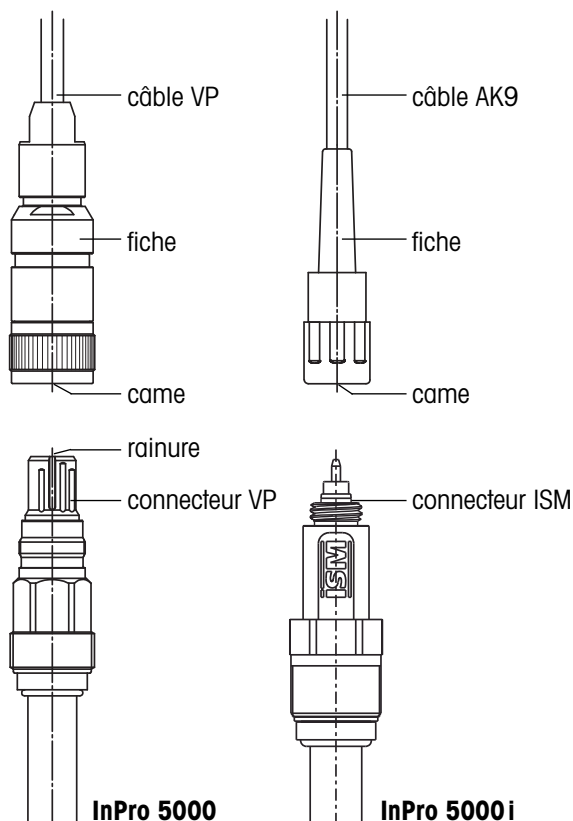
B: électrode de pH en état correct, les bulles ayant été éliminées.

Avant d'utiliser pour la première fois le capteur, il faut vérifier que le corps interne (électrode de pH) est correctement monté dans la gaine en acier. Le connecteur VP ne doit pas tourner. Sinon il faut resserrer la petite **vis à six pans creux** en-dessous du connecteur.

4.2 Etalonnage

But de l'étalonnage : chaque capteur CO₂ et chaque corps interne (électrode de pH) a sa pente et son zéro propres.

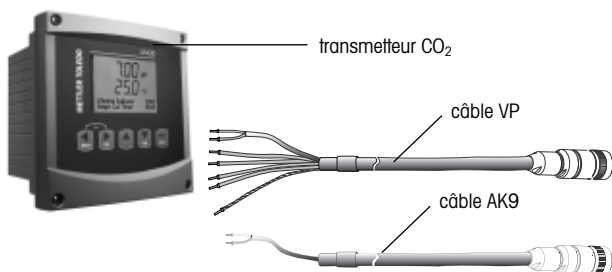
4.2.1 Connexion du capteur InPro 5000 au câble VP



Le capteur est relié au transmetteur par un câble VP ou AK9. Le câble VP garantit une liaison sûre entre capteur et transmetteur, même dans les conditions hostiles de l'industrie. Le connecteur robuste et étanche à l'eau répond à la classe de protection IP 68 et garantit une haute sécurité processus.

Pour connecter le câble VP au capteur, alignez la rainure du connecteur VP sur la came de la fiche. Poussez ensuite la fiche du câble sur le connecteur et vissez fermement.

4.2.2 Connexion du câble au transmetteur





Pour connecter la sonde, veuillez consulter le manuel du transmetteur.

4.2.3 Etalonnage du corps interne (électrode de pH) (N'est pas nécessaire pour l'InPro 5000 i)



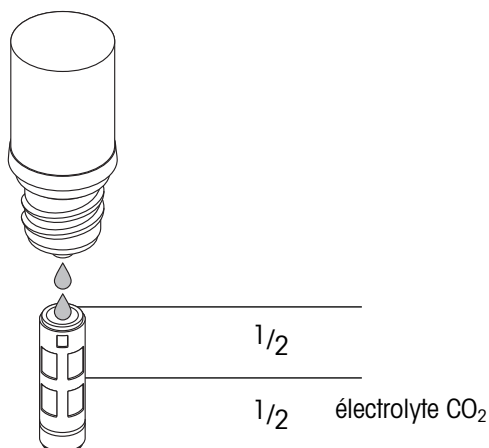
Préparez le corps interne (électrode de pH) selon les indications du chapitre 4.1 „Préparatifs“. Pour la sonde InPro 5000 nous recommandons un étalonnage à deux points dans les tampons de pH 7.00 et 9.21. Enlevez le capu-humidificateur avant l'étalonnage. Le zéro est étalonné dans le tampon de pH 7.00, et la pente de l'électrode combinée dans le tampon de pH 9.21. Veuillez observer les instructions de la notice d'emploi du transmetteur.

 **Réglage important :** Pour la sonde InPro 5000 configurez le transmetteur sur capteur de température Pt1000. Pour la sonde InPro 5000 i une configuration de la température n'est pas nécessaire.

 **Important :** ne pas laisser la sonde plus d'1 heure dans le tampon d'étalonnage, s.v.p. En effet, une exposition trop longue peut entraîner une dérive importante de la sonde dans le procédé.

4.3 Montage du corps de membrane

- Après l'étalonnage, rincez le corps interne (électrode de pH) avec de l'eau déminéralisée et le tamponner avec précaution au moyen d'un mouchoir en papier.
- Remplissez le corps de membrane neuf, à moitié, avec de l'électrolyte CO₂.



Vérifiez l'absence de bulles d'air dans l'électrolyte de l'électrode de pH. Les bulles peuvent être éliminées par des secousses vers le bas comme pour un thermomètre médical.

- Engagez le corps de membrane sur l'électrode de pH maintenue verticalement. L'excédent d'électrolyte déborde et doit être essuyé avec un mouchoir en papier.



Important : il ne doit pas y avoir d'électrolyte entre la gaine et le corps de membrane. Veuillez soigneusement le vérifier.

- Engagez avec précaution la gaine sur le corps de membrane, le capteur étant maintenu verticalement. Vissez la gaine à la force de la main. La gaine doit être propre et étanche.

4.4 Installation du capteur

Le montage du capteur sur un support tel que InFit 761-... ou InTrac 797 est décrit dans les notices correspondantes.

Le capteur InPro 5000 (i) peut également être monté directement dans le couvercle d'un petit réacteur biologique ou dans une conduite pourvus d'un taraudage Pg 13,5 dans lequel est vissé et serré l'écrou raccord Pg 13,5.



Remarque : l'installation à partir du bas vers le haut ou horizontalement n'est pas possible, en raison de l'électrode de pH intégrée. **Un angle égal ou supérieur à 15° par rapport à l'horizontale est recommandé.**

4.5 Stérilisation

Le capteur installé peut être stérilisé en même temps que le réacteur. Le capteur InPro 5000 peut être stérilisé en place ou en autoclave. Pour garantir l'exactitude de mesure il faut, après refroidissement ou avant l'ensemencement, effectuer un étalonnage dans le procédé (voir chapitre 5).



Remarque: pour obtenir une meilleure précision **veuillez attendre 1 heure** avant d'effectuer une calibration conformément au chapitre 5.1.

5 Fonctionnement

5.1 Etalonnage du capteur CO₂

Le capteur InPro 5000 (i) peut être étalonné au moyen de CO₂ gazeux ou d'un mélange de CO₂/N₂.

Exemple : si une pression partielle de CO₂ de 150 mbar est prévue pour une fermentation, il est préférable d'utiliser un mélange de 15 % CO₂ / 85 % N₂.

L'étalonnage peut s'effectuer aussi bien dans des liquides qu'en phase gazeuse. En cas d'étalonnage dans un liquide, il faut apporter un gaz contenant du CO₂ jusqu'à établissement de l'équilibre. Selon le pH, des quantités considérables de CO₂ se dissolvent, avec formation de bicarbonate, avant qu'une pression partielle constante de CO₂ puisse s'établir.



Recommandations :

- Dans de **petits réacteurs** biologiques le capteur peut être **étalonné en purgeant le réacteur vide ou plein par un gaz contenant du CO₂**.

Dans les **grands réacteurs** la consommation de gaz est trop importante de sorte que **nous recommandons d'effectuer l'étalonnage dans un support InTrac 797**. Nous vous prions instamment de lire la notice d'emploi du support rétractable

InTrac 797 afin de pouvoir procéder correctement, sous conditions stériles. Il faut, de plus, équiper les entrées et sorties de la chambre de rinçage inférieure de filtres stériles pour éviter une contamination par le gaz.

Étapes de l'étalonnage :

- Stériliser le capteur CO₂ InPro 5000 (i) en position de mesure du support (la membrane se trouve dans le réacteur).
- Stériliser les chambres de rinçage inférieure et supérieure du support rétractable InTrac 797.
- Après refroidissement, retirer les pièces mobiles du support en position de maintenance (la membrane se trouve alors dans la chambre de rinçage inférieure).

- Purger la chambre de rinçage inférieure au moyen de gaz d'étalonnage stérile. En vue d'un étalonnage correct, la pression dans la chambre de rinçage doit être connue.
- Après l'étalonnage, fermer les entrées et sorties de la chambre de rinçage inférieure et pousser les pièces mobiles du support en position de mesure. Le capteur est maintenant prêt pour les mesures.

6 Maintenance

6.1 Contrôle

6.1.1 Examen visuel

Pour contrôler le capteur, nous recommandons la démarche suivante :

- Les contacts du connecteur VP doivent être secs. L'humidité, des produits de corrosion ou des saletés peuvent entraîner de fausses mesures.
- Vérifiez l'absence de fissures et d'autres dommages sur le câble VP.
- Vérifiez visuellement l'absence de dommages sur la membrane. La membrane doit être propre et intacte. Une membrane sale peut être nettoyée au moyen d'un mouchoir en papier.



Remarque : une légère déformation de la membrane n'a pas d'influence sur les performances du capteur tant que la membrane est intacte.

- Le corps de membrane doit être remplacé lorsque la réponse du capteur devient lente, lorsque la valeur affichée est instable ou dérive, lorsque le capteur ne peut plus être étalonné par le CO₂ gazeux ou lorsque la membrane présente des indices de dommages mécaniques.
- Vérifiez l'absence de dommages sur la membrane de verre sensible au pH. Le diaphragme doit être blanc. Si nécessaire, rincez l'électrode avec de l'eau déminéralisée et la tamponner avec un mouchoir en papier.



Attention : ne pas employer de produits de nettoyage contenant de l'alcool. Ils peuvent endommager le capteur ou provoquer des erreurs de mesure.



Attention : l'électrode de pH est en verre et donc sensible aux chocs.

6.1.2 Vérifier le câblage et le transmetteur à l'aide du simulateur de pH

Accessoires requis pour la sonde CO₂ InPro 5000:

simulateur de pH 112 (référence 31 112 3003) avec module VP (référence 52 120 939).

Ces accessoires permettent de vérifier le câble VP et la connexion correcte au transmetteur. Sélectionnez

Pt 1000 sur le module VP. Il est également possible de vérifier la linéarité, la compensation de température correcte et la qualité de l'étage d'entrée (impédance propre, courant d'entrée) du transmetteur CO₂.

6.2 Remplacement de l'électrolyte CO₂ et du corps de membrane

Nous conseillons d'utiliser un corps de membrane neuf après chaque lot. Après étalonnage du corps interne (électrode de pH), il faut le remplir d'électrolyte neuf (chapitre 4.3).

6.3 Maintenance du corps interne (électrode de pH)

Lorsque la réponse de l'électrode devient traînante ou que sa pente selon Nernst baisse, la membrane de verre sensible au pH peut être traitée par la solution de réactivation (référence 51 319 053). Le verre sensible au pH ne doit pas être exposé plus de 5 minutes à la solution de réactivation et doit être rincée immédiatement et intensément à l'eau déminéralisée. Après 12 heures de conservation dans l'électrolyte CO₂, le corps interne est de nouveau prêt pour les mesures. Une telle réactivation accélère la réponse du corps interne, mais réduit considérablement sa durée de service.

6.4 Remplacement du corps interne (électrode de pH)

Le corps interne (électrode de pH) doit normalement être remplacé après 10 à 20 stérilisations. Veuillez observer les instructions détaillées du jeu de rechange.

6.5 ISM

DLI : Indicateur de durée de vie dynamique

Le DLI donne des informations au sujet de la durée de vie restante de l'élément sensible. Tant que l'indicateur DLI est au-dessus de zéro (jours), la précision du système est celle spécifiée après un étalonnage. Si le DLI est à zéro, il faut remplacer l'élément sensible.

Facteurs contribuant à l'usure :

- la température pendant la mesure
- le nombre de cycles NEP
- le nombre de cycles SEP
- le nombre d'autoclavages

Le DLI est calculé de la manière suivante.

En continu : la tension réelle de la sonde est calculée à l'aide des paramètres ci-dessus. On augmente la charge de la sonde au cours du fonctionnement. La charge de sonde accumulée divisée par le temps écoulé constitue la base du calcul de la durée de vie restante.

TTM : Délai avant maintenance

Le TTM renseigne sur le délai restant avant la prochaine maintenance. La maintenance comprend :

1. Le remplacement de l'électrolyte
2. Le nettoyage de l'élément sensible
3. Le remplacement du corps à membrane

ACT : Minuteur d'étalonnage adaptatif

L'ACT fournit des renseignements au sujet du prochain étalonnage requis, afin de s'assurer que les mesures resteront conformes à la précision spécifiée. Ce calcul se base sur les informations de l'indicateur de durée de vie dynamique.

Historique des étalonnages

Les données relatives aux quatre derniers étalonnages et à l'étalonnage usine sont stockées dans la mémoire de la sonde. Ces données sont lisibles avec un transmetteur ou avec le logiciel iSense Asset Suite

L'historique des étalonnages donne des renseignements précieux au sujet de la qualité de l'étalonnage et du vieillissement de l'élément sensible.

7 Conservation



Pour la conservation du capteur, nous recommandons de remplir le corps de membrane d'électrolyte CO₂ frais et d'assembler le capteur. Le capuchon humidificateur rempli d'eau empêche une dessiccation de la membrane pendant la conservation.

8 Spécifications du produit

8.1 Certificats

Chaque capteur est livré avec un jeu de certificats (MaxCert) :

Certificat 3.1 B pour les pièces en acier selon EN 10204/3.1 B. Toutes les pièces métalliques en contact avec le milieu (tige du capteur, écrou raccord, corps de membrane) portent un numéro se rapportant au certificat fourni.

Toutes les pièces métalliques en contact avec le milieu (tige du capteur, écrou raccord, corps de membrane) sont polies avec une rugosité inférieure à 0,4 µm, conformément à N5 (ISO 1320 : 1992).

8.2 Spécifications

	InPro 5000
Principe de mesure	potentiométrique, Severinghaus
Conditions de mesure	
Pression mécanique	max. 3 bar à 25 °C
Pression pour la mesure	0,2 – 2 bar absolu
Plage de température (mesure)	0...60 °C
Stérilisation	< 130 °C en place ou en autoclave
Construction	
Signal de température	InPro 5000i: Numérique InPro 5000: Pt 1000
Connexion	InPro 5000i: AK9 InPro 5000: VP
Joints toriques (matériau)	Viton®, silicone (conforme FDA)
Membrane (matériau)	silicone, PTFE, renforcé par treillis d'acier
Métal en contact avec le milieu	acier inoxydable DIN 1.4435
Dimensions	
Diamètre du capteur	12 mm
Longueur d'immersion	120, 220, 320 mm
Performances	
Plage de mesure	10 – 1000 hPa CO ₂
Exactitude	± 10 %, 600 – 900 hPa ≥ ± 10 %, > 900 hPa
Limite de détection	10 hPa CO ₂
Temps de réponse	90 % de la valeur finale en moins de 120 s (à 25 °C, de l'air à CO ₂)

9 Informations pour la commande

9.1 Capteur

Désignation du type :

InPro 5000 (i) / 12 / a (a = longueur d'immersion en mm)

Désignation	N° de commande
InPro5000i/12/120	30 013 606
InPro5000i/12/220	30 019 005
InPro5000i/12/320	30 019 006
InPro5000/12/120	52 206 067
InPro5000/12/220	52 206 068
InPro5000/12/320	52 206 069

9.2 Accessoires

Accessoire	N° de commande
Câble VP VP6-ST/3M	52 300 108
Câble VP VP6-ST/5M	52 300 109
Câble VP VP6-ST/10M	52 300 110
AK9 Kabel/1M	10 000 0102
AK9 Kabel/3M	10 000 0302
AK9 Kabel/5M	10 000 0502
AK9 Kabel/10M	10 000 1002
AK9 Kabel/20M	52 300 204
ISM Kit de Vérification	30 031 035
Simulateur de pH 112 pour l'InPro 5000	31 112 3003
Module VP pour l'InPro 5000	52 120 939

9.3 Pièces de rechange

Pièce de rechange	N° de commande
Kit de membrane InPro 5000	52 206 055
Douille fileté, modèle N 1.4435	52 201 153
Douille fileté, modèle P 1.4435	52 201 154
Corps interne InPro 5000i/12/120	30 019 049
Corps interne InPro 5000i/12/220	30 019 170
Corps interne InPro 5000i/12/320	30 019 175
Corps interne InPro 5000/12/120	52 206 057
Corps interne InPro 5000/12/220	52 206 084
Corps interne InPro 5000/12/320	52 206 085
Tampon pH 7.00 250 ml	51 340 059
Tampon pH 7.00 6x250 ml	51 340 060
Tampon pH 9.21 250 ml	51 300 193
Tampon pH 9.21 6x250 ml	51 300 194

9.4 Transmetteur

Compatibilité

InPro 5000 i	InPro 5000
M400 type 3	M400 type 3
M800	M700 avec module CO ₂

Désignation	N° de commande
M400 type 3	52 121 350
M700 CO ₂ 5700 i (analogique)	52 121 267
M800 process 2-Ch	52 121 813
M800 process 4-Ch	52 121 853

- BR** **Mettler-Toledo Ind. e Com. Ltda.**, Alameda Araguaia, 451 - Alphaville,
BR-06455-000 Barueri/SP, Brazil, Phone +55 11 4166 74 44, Fax +55 11 4166 74 01
- CH** **Mettler-Toledo (Schweiz) GmbH**, Im Langacher, CH-8606 Greifensee, Switzerland,
Phone +41 44 944 45 45, Fax +41 44 944 45 10
- D** **Mettler-Toledo GmbH**, Prozeßanalytik, Ockerweg 3, D-35396 Gießen, Germany,
Phone +49 641 507 333, Fax +49 641 507 397
- F** **Mettler-Toledo Analyse Industrielle S.A.S.**, 30 Bld. de Douaumont,
F-75017 Paris, France, Phone +33 1 47 37 06 00, Fax +33 1 47 37 46 26
- USA** **Mettler-Toledo Ingold, Inc.**, 36 Middlesex Turnpike, Bedford, MA 01730 USA,
Phone +1 800 352 8763, Fax +1 781 271 0681