



Product Data Sheet

DuPont™ TapTec™ Pre-Filtration Modules

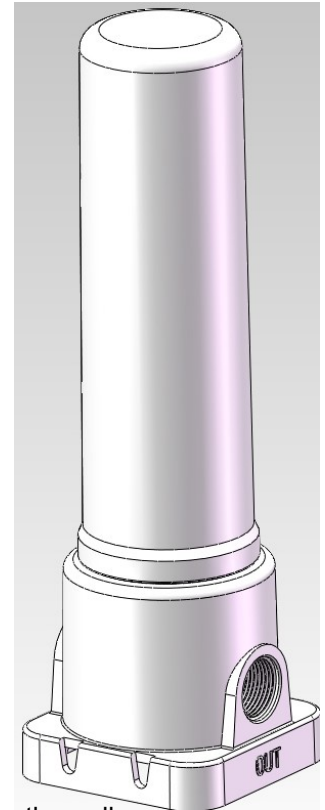
Model TT-2510-PF full filter & replacement cartridge

Description

DuPont™ TapTec™ Pre-filtration modules are encapsulated string wound polypropylene sediment filters, with easy twist lock for consumer-friendly locking-unlocking mechanism. The filter cartridge are manufactured from a durable polypropylene cord that is wound around a rigid polypropylene core. They provide superior performance to reduce fine sediment, including sand, silt, rust, dirt and scale particles. The cartridges combined with superior housing design provide a reliable quality filtered water at a consistent flow. The sleek outer design gives an attractive look and feel, along with easy installation and use.

TapTec™ filters have the following general properties and characteristics:

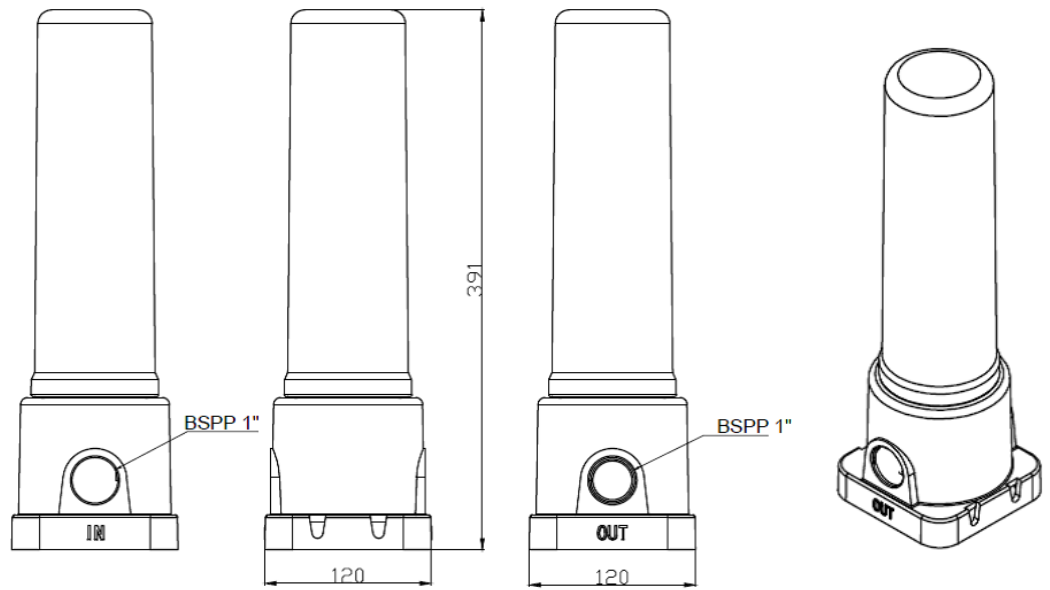
- Filter out any suspended particles in water that are greater than 10 micron in size
- 1" BSPP inlet and outlet diameter for connecting with 1" municipal pipe line
- Easy twist lock to remove the used filter cartridge and install new one
- Approximate flow of 250L/h of filtered water (actual may vary depending on feed flow & pressure)
- Sturdy housing made from Polypropylene with attractive look and feel
- Flexibility to rest the product upside down or mount on the wall



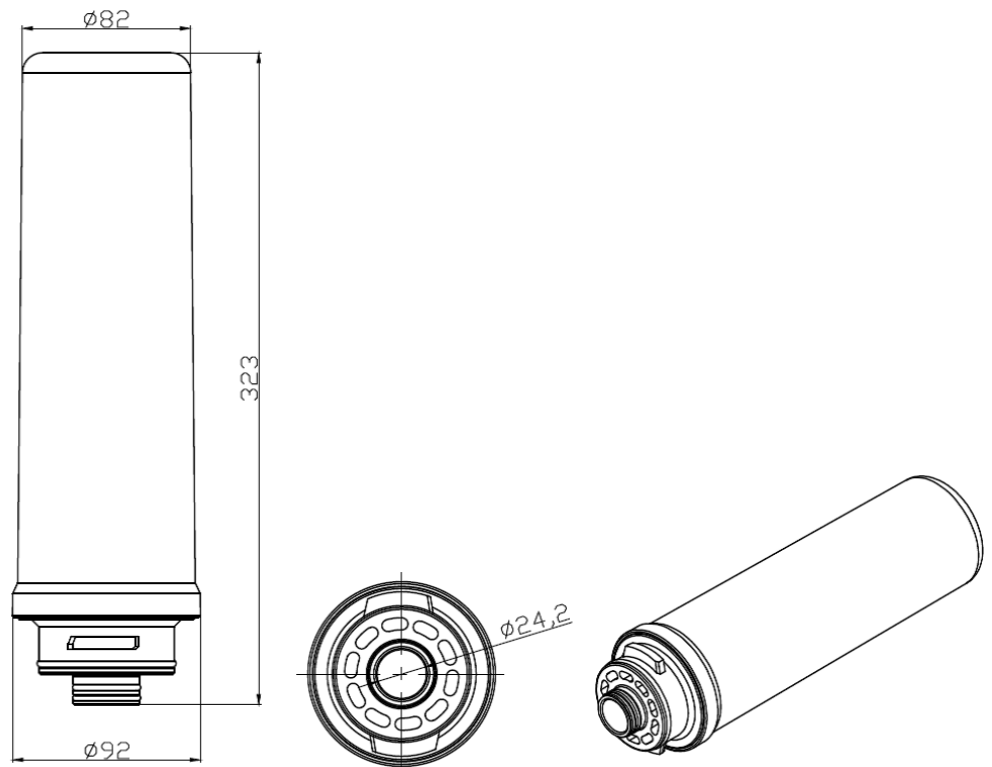
Specifications

	Typical Values
Pore Size	10 Microns
Filter Type	String Wound PP Filter
Approximate Flow Expected	250L/h @ 1.5bar and 25C
Dimensions for Pipe Connection	1"

Element Dimensions Full Filter



Replacement Cartridge



Product	Units	Length	Breadth	Height	Diameter
		L	B	W	D
Full Filter	SI (mm)	120	120	391	
Replacement Cartridge	SI (mm)			323	92

Suggested Operating Conditions

	SI Units
Approximate Flow Range Per Module	250L/h @ 1.5bar and 25C
Temperature	1 – 40°C
Maximum Inlet Module Pressure	2 bar
Maximum Operating Differential Pressure	0.5 bar
Flow Configuration	Outside in, dead end flow

Operation Guidelines

Avoid any abrupt pressure variations during start-up, shutdown, cleaning or other sequences to prevent possible filter damage. Flush the system to remove impurities and leachables prior to start-up. Remove residual air from the system prior to start-up. Manually start the equipment. Depending on the application, filtrate obtained from initial operations should be discarded. The product should be operated within the guidelines mentioned herein and in user manual. If the flow of water reduces by 30-40% at constant pressure, it is recommended that the filter is discarded and replaced with a new one.

General Information

If operating limits and guidelines given in this bulletin are not strictly followed, the limited warranty will be null and void. To control biological growth during extended shutdowns, it is recommended that storage solution be injected into the modules.

Product Stewardship

DuPont has a fundamental concern for all who make, distribute, and use its products, and for the environment in which we live. This concern is the basis for our product stewardship philosophy by which we assess the safety, health, and environmental information on our products and then take appropriate steps to protect employee and public health and our environment. The success of our product stewardship program rests with each and every individual involved with DuPont products—from the initial concept and research, to manufacture, use, sale, disposal, and recycle of each product.

Customer Notice

DuPont strongly encourages its customers to review both their manufacturing processes and their applications of DuPont products from the standpoint of human health and environmental quality to ensure that DuPont products are not used in ways for which they are not intended or tested. DuPont personnel are available to answer your questions and to provide reasonable technical support. DuPont product literature, including safety data sheets, should be consulted prior to use of DuPont products. Current safety data sheets are available from DuPont.

Please be aware of the following:

- The use of this product in and of itself does not necessarily guarantee the removal of cysts and pathogens from water. Effective cyst and pathogen reduction is dependent on the complete system design and on the operation and maintenance of the system.
- This product is not intended for use in potable water applications.

Regulatory Note

This product may be subject to drinking water application restrictions in some countries; please check the application status before use and sale.

Have a question? Contact us at:

www.dupont.com/water/contact-us

All information set forth herein is for informational purposes only. This information is general information and may differ from that based on actual conditions. Customer is responsible for determining whether products and the information in this document are appropriate for Customer's use and for ensuring that Customer's workplace and disposal practices are in compliance with applicable laws and other government enactments. The product shown in this literature may not be available for sale and/or available in all geographies where DuPont is represented. The claims made may not have been approved for use in all countries. Please note that physical properties may vary depending on certain conditions and while operating conditions stated in this document are intended to lengthen product lifespan and/or improve product performance, it will ultimately depend on actual circumstances and is in no event a guarantee of achieving any specific results. DuPont assumes no obligation or liability for the information in this document. References to "DuPont" or the "Company" mean the DuPont legal entity selling the products to Customer unless otherwise expressly noted. **NO WARRANTIES ARE GIVEN; ALL IMPLIED WARRANTIES OF MERCHANTABILITY OR FITNESS FOR A PARTICULAR PURPOSE ARE EXPRESSLY EXCLUDED.** No freedom from infringement of any patent or trademark owned by DuPont or others is to be inferred.

© 2021 DuPont. DuPont™, the DuPont Oval Logo, and all trademarks and service marks denoted with ™, SM or ® are owned by affiliates of DuPont de Nemours Inc., unless otherwise noted.

